

链轮 PLATEWHEEL
8 x 3mm

05B-1-2

链轮 PLATEWHEEL 8 x 3mm

配对链条标准为DIN8187 ISO/R 606
For Chain Acc.to DIN8187 ISO/R 606

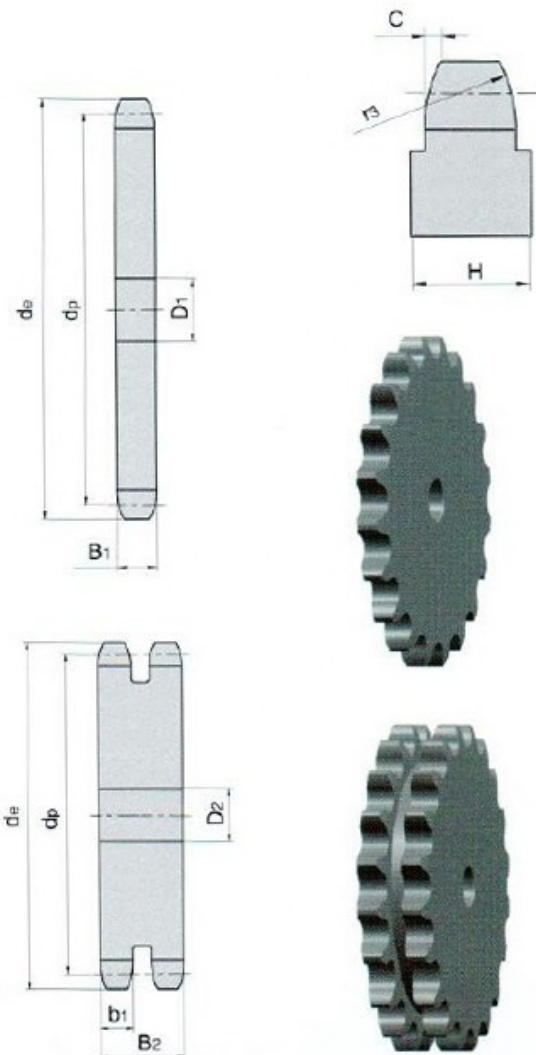
链轮 PLATEWHEEL mm

齿侧倒角半径 Tooth Radius r3	8.0
齿侧倒角宽 Radius Width C	1.0
齿宽 Tooth Width B1	2.8
齿宽 Tooth Width b1	2.7
齿宽 Tooth Width B2	8.3

链条 CHAIN mm

节距 Pitch	8.0
内节内宽 Internal Width	3.0
滚子直径 Roller Diameter	5.0

齿数等于或超过46时, H=4mm
When Z ≥ 46, H=4mm



Z	de	dp	S		D	
			D1	D2	D1	D2
8	24.0	20.90	6	8	8	8
9	26.6	23.39	6	8	8	8
10	29.2	25.89	6	8	8	8
11	31.7	28.39	8	8	8	8
12	34.2	30.91	8	8	8	8
13	36.7	33.42	8	8	8	8
14	39.2	35.95	8	8	8	8
15	41.7	38.48	8	8	8	8
16	44.3	41.01	8	8	10	10
17	46.8	43.53	8	8	10	10
18	49.3	46.07	8	8	10	10
19	51.9	48.61	8	8	10	10
20	54.4	51.14	8	8	10	10
21	57.0	53.68	8	8	10	10
22	59.5	56.21	8	8	10	10
23	62.0	58.75	8	8	10	10
24	64.6	61.29	8	8	10	10
25	67.5	63.83	8	8	10	10
26	69.5	66.37	10	10	12	12
27	72.2	68.91	10	10	12	12
28	74.8	71.45	10	10	12	12
29	77.3	73.99	10	10	12	12
30	79.8	76.53	10	10	12	12
31	82.4	79.08	10	10	12	12
32	84.9	81.61	10	10	12	12
33	87.5	84.16	10	10	12	12
34	90.0	86.70	10	10	12	12
35	92.5	89.25	10	10	12	12
36	95.0	91.79	10	10	12	12
37	97.6	94.33	10	10	12	12
38	100.2	96.88	10	10	12	12
39	102.7	99.42	10	10	12	12
40	105.3	101.97	10	10	12	12
41	107.8	104.51	12	12	14	14
42	110.4	107.05	12	12	14	14
43	112.9	109.60	12	12	14	14
44	115.5	112.14	12	12	14	14
45	118.0	114.69	12	12	14	14
46	120.6	117.23	12	12	14	14
47	123.1	119.77	12	12	14	14
48	125.6	122.32	12	12	14	14
49	128.2	124.86	12	12	14	14
50	130.7	127.41	12	12	14	14
51	133.3	129.95	14	14	16	16
52	135.8	132.49	14	14	16	16
53	138.4	135.04	14	14	16	16
54	140.9	137.59	14	14	16	16
55	143.5	140.13	14	14	16	16
56	146.0	142.68	14	14	16	16
57	148.6	145.22	14	14	16	16
58	151.0	147.77	14	14	16	16
59	153.6	150.31	14	14	16	16
60	156.2	152.86	14	14	16	16
62	162.0	157.95	16	16	20	20
64	167.1	163.04	16	16	20	20
65	169.6	165.58	16	16	20	20
66	172.2	168.13	16	16	20	20
68	177.3	173.22	16	16	20	20
70	182.4	178.31	16	16	20	20
72	187.5	183.40	20	20	20	20
75	195.1	191.04	20	20	20	20
76	197.7	193.59	20	20	20	20
78	202.8	198.68	20	20	20	20
80	207.9	203.77	20	20	20	20
85	220.6	216.50	20	20	20	20
90	233.4	229.23	20	20	20	20
95	246.1	241.96	20	20	20	20
100	258.9	254.68	20	20	20	20
110	284.3	280.15	20	20	20	20
114	294.5	290.33	20	20	20	20
120	310.0	305.61	20	20	20	20
125	322.5	318.34	20	20	20	20